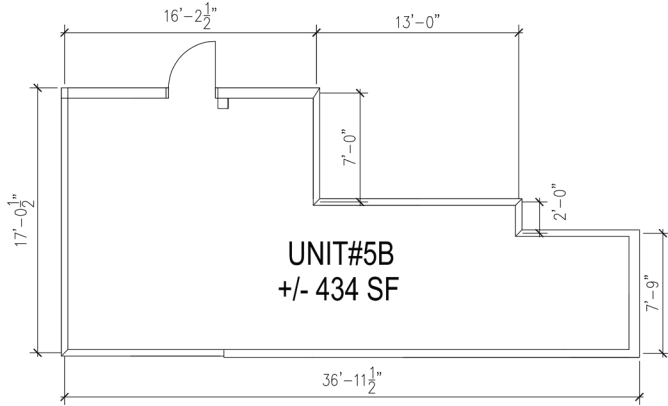


VACANCY PLAN



SITE PLAN



UNIT DETAILS

Date Available	Immediately
Description	Small unit suitable for an office or other non-retail use, located with own entrance at the back of the shopping centre. This unit does not have an interior mall entrance.

CONTACT

Ingus Silgailis
VP, Leasing
T 604 629 8130
C 604 230 3435
ingus@nwproperties.ca

Christoph Richter
VP, Portfolio Management
T 604 629 8132
C 604 220 3286
christoph@nwproperties.ca

Dave Mills
Property Manager
T 250 758 1102
C 250 713 6451
dave@nwproperties.ca

nwproperties.ca