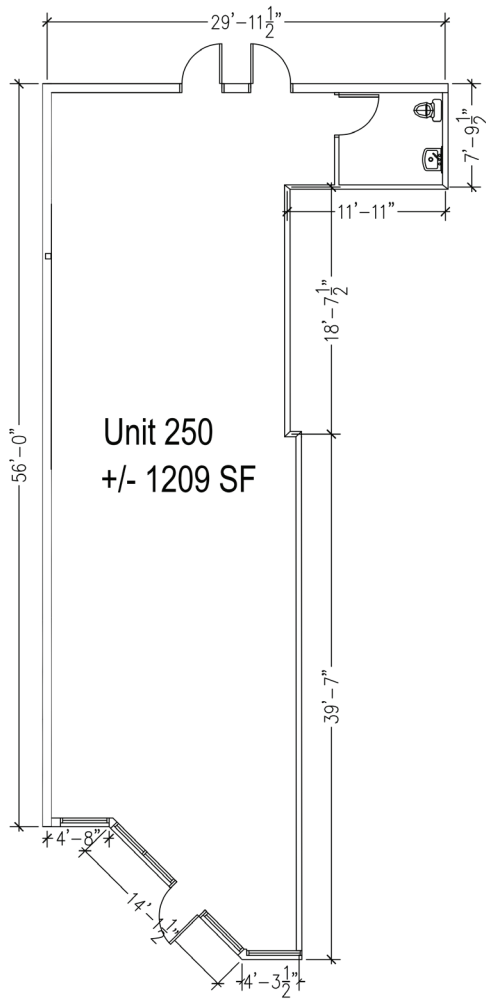


VACANCY PLAN



SITE PLAN



UNIT DETAILS

Date Available

60 Days Notice

Description

Centrally located within the shopping centre. Can be combined with Unit 240 for larger concept retail or office premises.

CONTACT

Ingus Silgailis
VP, Leasing

T 604 629 8130

C 604 230 3435

ingus@nwproperties.ca

Christoph Richter

VP, Portfolio Management

T 604 629 8132

C 604 220 3286

christoph@nwproperties.ca

nwproperties.ca